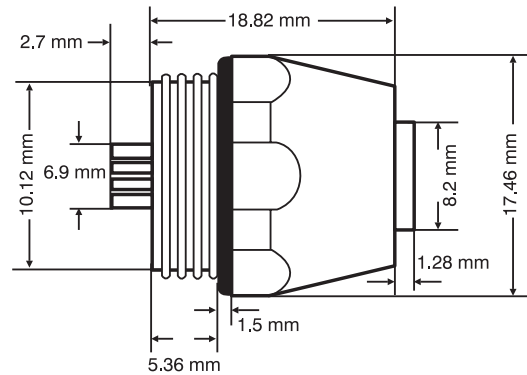


## M12 FLANGE TYPE EURO CONNECTOR(SOCKET) FOR SENSOR



### TECHNICAL DETAILS

- |                         |                                      |
|-------------------------|--------------------------------------|
| 1. Operating Voltage:   | 10..... 30 V D.C. / 240 V A.C./ D.C. |
| 2. Operating Current    | 3A                                   |
| 3. Protection Class     | IP68                                 |
| 4. Temperature Range    | -25° C to +90° C                     |
| 5. Flange Housing       | Cu Zn, Nickel Plated                 |
| 6. Contact Material     | Cu Zn / Sn (Gold Plated)             |
| 7. Mounting Thread      | Compatible with PG9                  |
| 8. Isolation Resistance | > 10 <sup>9</sup> ohm                |

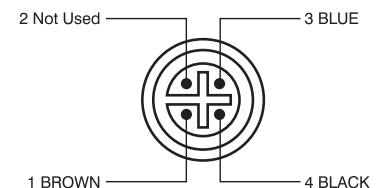


### ORDERING CODE:

<b>PART NO.:</b>	<b>DETAILS</b>
PSCNFE12ST03L05C3NSDXX2	M12/EURO/STRAIGHT/4 POLE/LEAD TERMINATION

### CONNECTION DETAILS:

	PIN NO.
BROWN	1
WHITE	2
BLUE	3
BLACK	4



Specifications are subject to change without notice.