

## NAMUR AMPLIFIER RELAY UNIT



### ELECTRICAL DATA:

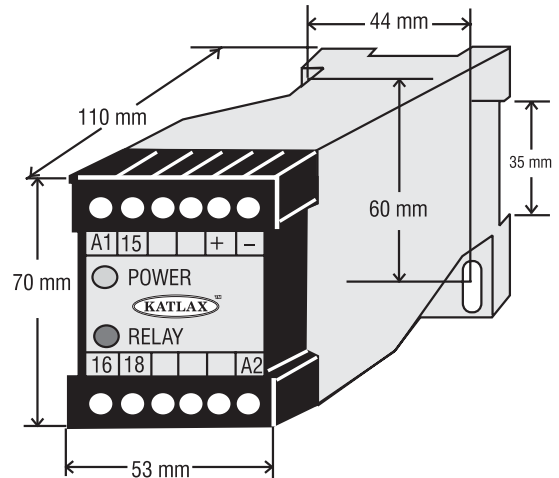
- SUPPLY VOLTAGE 240V ~ ... 110V ~ ... / 50Hz +/-10%
- POWER CONSUMPTION 2.5VA

### Control Circuit

- SENSOR SUPPLY\*\* 8.2±0.3V approx
- SHORT CIRCUIT CURRENT <10mA
- SWITCHING RANGE 2.5mA > IS Relay Deenergised  
SIGNAL CURRENT 2.5mA < IS Relay Energised

### Output (non-intrinsically safe)

- RELAY OUTPUT CONTACT RATING AC 250V/4A
- CONTACTS SPDT
- CONTINUOUS CURRENT RATING 5A RESISTIVE @ 230 V~  
DC11 DUTY 1.25A @ <=24VDC  
AC11 DUTY 0.2A @ 220V  
1.5A @ <=230V~



### MECHANICAL DATA:

- HOUSING ABS PLASTIC ENCLOSURE DESIGNED FOR **IP 54** WITH TERMINAL COVER
- MOUNTING PANEL MOUNTING PROVISION ON 35mm RAIL AS PER **DIN STANDARD 50022** OR WITH HOLES FOR SCREW FIXING
- TERMINATION TERMINAL COMPARTMENT FOR MAXIMUM CROSS-SECTIONAL AREA=1X 2.5 Sq.mm.

### ORDERING CODE:

### TYPE

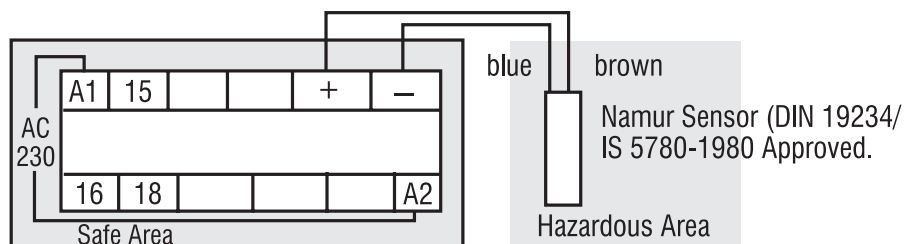
- |                 |                 |
|-----------------|-----------------|
| PRA240NRU821C5A | 240V~/C-NO-NC   |
| PRA110NRU821C5A | 110V~/C-NO-NC   |
| PRD024NRU821C5A | 24V DC /C-NO-NC |



### CONNECTION DETAILS:

- |                    |                              |
|--------------------|------------------------------|
| A1 - A2            | SUPPLY VOLTAGE               |
| 15-16-18 (C-NC-NO) | OUTPUT 1 CHANGEOVER CONTACTS |
| +                  | BROWN- NAMUR SENSOR          |
| -                  | BLUE - NAMUR SENSOR          |

\* ( For Intrinsically Safe NAMUR Sensor  
DIN19234 / IS5780 - 1980 Approved.)



Specifications are subject to change without notice.