

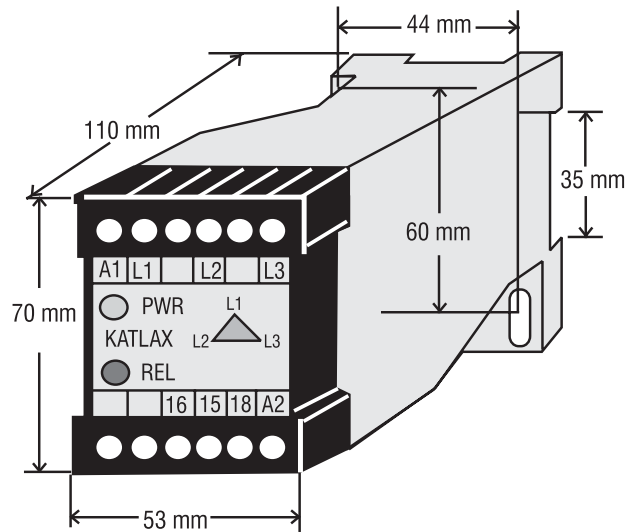
## PHASE MONITORING RELAY UNIT

### ELECTRICAL DATA:

- |                      |                          |
|----------------------|--------------------------|
| 1. AUXILLARY SUIPPLY | 230VAC/415VAC +-20% 50Hz |
| 2. SYSTEM SUPPLY     | 415VAC / 3PHASE          |
| 3. POWER CONSUMPTION | 4VA.                     |

### Control Circuit Operation:

- |                    |                                                 |
|--------------------|-------------------------------------------------|
| 4. FUNCTION        | OUT PUT RELAY NORMALLY ENERGISED AND TRIPS WITH |
|                    | 1. Incorrect Phase Sequence                     |
|                    | 2. Single Phase Failure                         |
|                    | 3. Phase Angle Assymetry Fixed at 30%.          |
| 5. TRIP TIME DELAY | 0.5 SEC. FIXED.                                 |



### Outputs

- |                    |                                          |
|--------------------|------------------------------------------|
| 6. OUTPUT CONTACTS | 5A @ RESISTIVE LOAD 1C/O<br>25VAC/30 VDC |
|--------------------|------------------------------------------|

### MECHANICAL DATA:

- |                |                                                                                                                 |
|----------------|-----------------------------------------------------------------------------------------------------------------|
| 8. HOUSING     | ABS PLASTIC ENCLOSURE<br>DESIGNED FOR <b>IP 54</b> WITH<br>TERMINAL COVER                                       |
| 8. MOUNTING    | PANEL MOUNTING PROVISION<br>ON 35mm RAIL AS PER <b>DIN<br/>STANDARD 50022</b> OR<br>WITH HOLES FOR SCREW FIXING |
| 9. TERMINATION | TERMINAL COMPARTMENT<br>FOR MAXIMUM CROSS-<br>SECTIONAL AREA=1X 2.5 Sq.mm.                                      |

### ORDERING CODE:

### TYPE

PRA230PMRXX1C5A

230VAC/1C-1NO-1NC

### CONNECTION DETAILS:

- |            |                          |
|------------|--------------------------|
| A1 - A2    | AUXILLARY SUPPLY VOLTAGE |
| L1-L2-L3 : | SYSTEM SUPPLY VOLTAGE    |
| 15:        | COMMON CONTACT           |
| 16:        | NORMALLY CLOSED CONTACT  |
| 18:        | NORMALLY OPEN CONTACT    |



Specifications are subject to change without notice.