

3 CHANNEL ZENER BARRIER UNIT



ELECTRICAL DATA

For Barrier Z1

1. Um (Max. voltage)	50 VDC	1 & 2
2. Uz (Zener Voltage)	27 VDC	7 & 8
3. Io (Short Circuit Current)	93 mA	7 & 8
4. Barrier Resistance	290 Ohm	

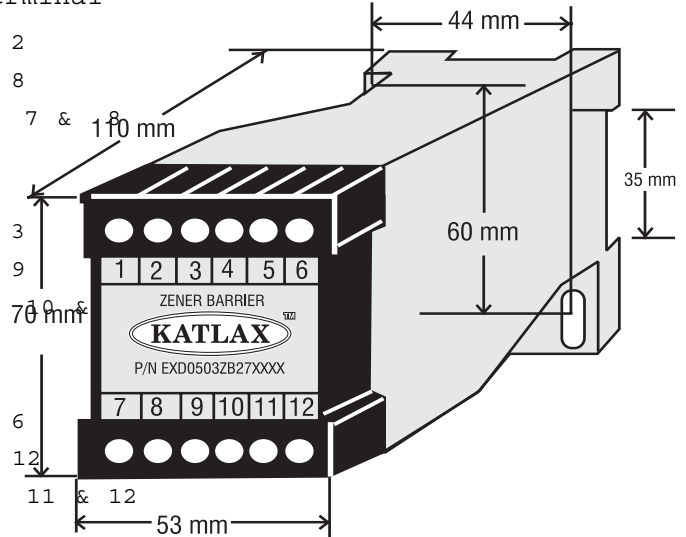
For Barrier Z2

5. Um (Max. Voltage)	25 VDC	4 & 3
6. Uz (Zener Voltage)	11.6 VDC	10 & 9
7. Io (Short Circuit Current)	12 mA	7 & 8
8. Barrier Resistance	980 Ohm	

For Barrier Z3

9. Um (Max. Voltage)	25 VDC	5 & 6
10. Uz (Zener Voltage)	11.6 VDC	11 & 12
11. Io (Short Circuit Current)	12 mA	11 & 12
12. Barrier Resistance	980 Ohm	

Terminal



MECHANICAL DATA:

- 13. HOUSING ABS PLASTIC ENCLOSURE BARRIER
- DESIGNED FOR IP 54 WITH TERMINAL COVER
- 14. MOUNTING PANEL MOUNTING PROVISION ON 35mm RAIL AS PER DIN STANDARD 50022 OR WITH HOLES FOR SCREW FIXING
- 15. TERMINATION TERMINAL COMPARTMENT FOR MAXIMUM CROSS-SECTIONAL AREA=1X 2.5 Sq.mm.

ORDERING CODE:

EXD0503ZB27XXXX

TYPE

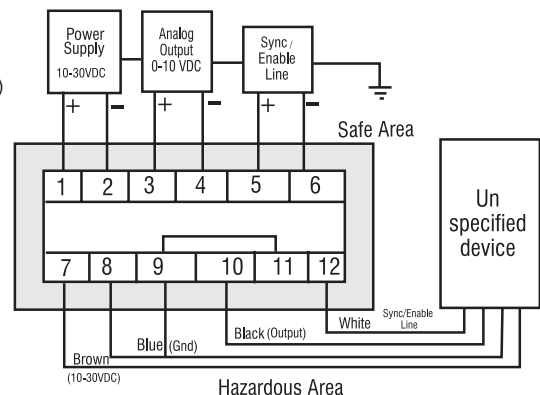
3 ZHANNEL ZENER



CONNECTION DETAILS:

1 (+) - 2 (-)	SUPPLY For Z1 (MAX 50 VDC)
7 (+) - 8 (-)	OUTPUT FOR Z1 (27 VDC)
4 (+) - 3 (-)	SUPPLY FOR Z2 (MAX. 25 VDC)
10 (+) - 9 (-)	OUTPUT FOR Z2 (11.6 VDC)
5 (+) - 6 (-)	SUPPLY FOR Z3 (MAX 25 VDC)
11 (+) - 12 (-)	OUTPUT FOR Z3 (11.6 VDC)

* (Intrinsically Safe 3 CH ZENER BARRIER DIN19234 / IS5780- 2002 Approved.)



Specifications are subject to change without notice.