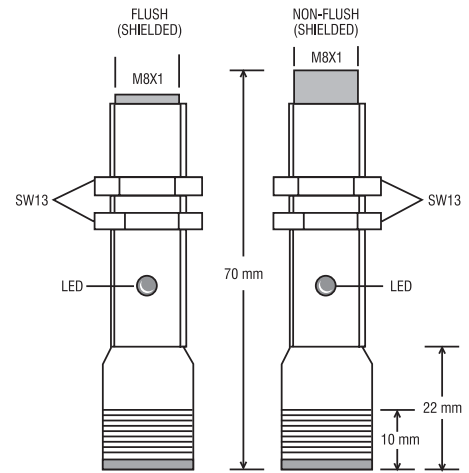


M8 DC IND. CONNECTOR TYPE PROXIMITY SWITCH / SENSOR

1.5mm/2mm
FLUSH / NON FLUSH

OPERATIONAL DATA:

1. MOUNTING IN METAL	FLUSH / NON-FLUSH
2. SENSING DISTANCE with Fe/ST37-8mm x 8mm x 1mm	1.5mm(FLUSH) 2mm(NON-FLUSH)
3. HYSTERESIS	3% TO 15%
4. REPEATABILITY	0.01mm
5. TEMPERATURE DRIFT	<10%
6. AMB. TEMP. RANGE	0 DEG.C. TO 70 DEG.C.



ELECTRICAL DATA:

7. OPERATING VOLTAGE	10 V TO 30 VDC
8. CURRENT CONSUMPTION	<20 mA
9. DROPOUT VOLTAGE	<1V @ max load current
10. SWITCHING FREQUENCY	3 KHz
11. LOAD CURRENT (MAXIMUM)	200mA

ORDERING CODE: TYPE

PSIBB08PAFOCN12RS	PNP/NO/200mA/FLUSH
PSIBB08PAFCCN12RS	PNP/NC/200mA/FLUSH
PSIBB08PANOCN12RS	PNP/NO/200mA/NONFLUSH
PSIBB08PANCCN12RS	PNP/NC/200mA/NONFLUSH
PSIBB08NAFOCN12RS	NPN/NO/ 200mA/FLUSH
PSIBB08NAFCCN12RS	NPN/NC/ 200mA/FLUSH
PSIBB08NANOCN12RS	NPN/NO/200mA/NONFLUSH
PSIBB08NANCCN12RS	NPN/NC/200mA/NONFLUSH

MECHANICAL DATA:

12. HOUSING	M 8 X 1mm THREADED BRASS BARREL Ni-CHROME PLATED
13. MOUNTING	8 mm THRU HOLE FIXING BY M8 X1mm TAPPED PAIR OF NUTS
14. TERMINATION	M12 PLUG CONNECTOR

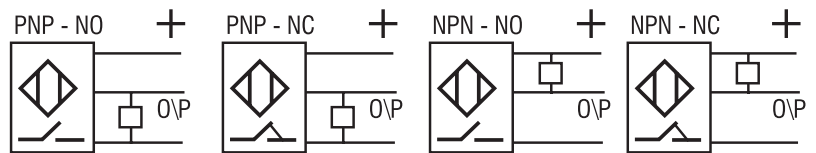
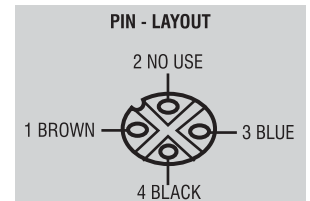
* please contact factory for different barrel lengths.

PROTECTION FEATURES:

15. ENVIRONMENTAL	IP67(tested & certified by CMRI, Dhanbad.)
16. POLARITY REVERSAL	YES
17. OUTPUT	AGAINST INDEFINITE SHORT CIRCUIT

CONNECTION DETAILS:

PIN NO OF MALE CONNECTOR	COLOUR CODE
1 (+Ve)	BROWN
2 (N.U)	NOT USED
3 (-Ve)	BLUE
4 (OUTPUT)	BLACK



Specifications are subject to change without notice.