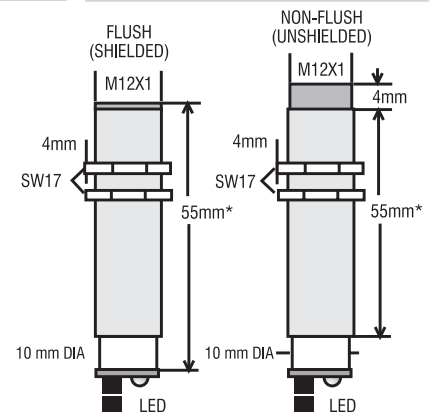


## M12DC INDUCTIVE PROXIMITY SWITCH/SENSOR

2mm/4mm  
FLUSH / NONFLUSH

### OPERATIONAL DATA:

- |  |                           |
|--|---------------------------|
| 1. MOUNTING IN METAL                               | FLUSH / NON-FLUSH         |
| 2. SENSING DISTANCE<br>with Fe/ST37 -12mmX12mmX1mm | 2mm(FLUSH) 4mm(NON-FLUSH) |
| 3. HYSTERESIS                                      | 3% TO 15%                 |
| 4. REPEATABILITY                                   | 0.01mm                    |
| 5. TEMPERATURE DRIFT                               | < 10%                     |
| 6. AMB. TEMP. RANGE                                | 0 DEG.C. TO 70 DEG.C.     |

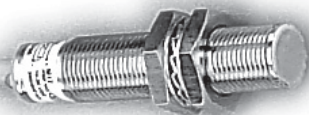


### ELECTRICAL DATA:

- |                            |                         |
|----------------------------|-------------------------|
| 7. OPERATING VOLTAGE       | 10 V TO 30 VDC          |
| 8. CURRENT CONSUMPTION     | < 20 mA                 |
| 9. DROPOUT VOLTAGE         | < 1V @ max load current |
| 10. SWITCHING FREQUENCY    | 1.5 KHz                 |
| 11. LOAD CURRENT (MAXIMUM) | 200mA / 400mA           |

### ORDERING CODE: TYPE

- |                   |                       |
|-------------------|-----------------------|
| PSIBB12PAFOCB02RS | PNP/NO/200mA/FLUSH    |
| PSIBB12PAFCCB02RS | PNP/NC/200mA/FLUSH    |
| PSIBB12PBFOCB02RS | PNP/NO/400mA/FLUSH    |
| PSIBB12PBFCCB02RS | PNP/NC/400mA/FLUSH    |
| PSIBB12PANOCB02RS | PNP/NO/200mA/NONFLUSH |
| PSIBB12PANCCB02RS | PNP/NC/200mA/NONFLUSH |
| PSIBB12PBNOCB02RS | PNP/NO/400mA/NONFLUSH |
| PSIBB12PBNCCB02RS | PNP/NC/400mA/NONFLUSH |
| PSIBB12NAFOCB02RS | NPN/NO/ 200mA/FLUSH   |
| PSIBB12NAFCCB02RS | NPN/NC/ 200mA/FLUSH   |
| PSIBB12NBFOCB02RS | NPN/NO/400mA/FLUSH    |
| PSIBB12NBFCCB02RS | NPN/NC/400mA/FLUSH    |
| PSIBB12NANOCB02RS | NPN/NO/200mA/NONFLUSH |
| PSIBB12NANCCB02RS | NPN/NC/200mA/NONFLUSH |
| PSIBB12NBNOCB02RS | NPN/NO/400mA/NONFLUSH |
| PSIBB12NBNCCB02RS | NPN/NC/400mA/NONFLUSH |



### MECHANICAL DATA:

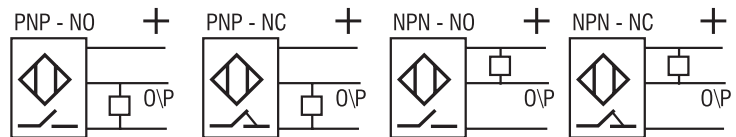
- |                 |   |  |
|-----------------|---|--|
| 12. HOUSING     | M12 X 1mm THREADED BRASS<br>BARREL Ni-CHROME PLATED       | <b>*please contact factory for<br/>different barrel lengths.</b> |
| 13. MOUNTING    | 12 mm THRU HOLE FIXING BY<br>M12 X1mm TAPPED PAIR OF NUTS |  |
| 14. TERMINATION | Cu CABLE PVC INSULATED 3X0.34 Sq.mm.                      |  |

### PROTECTION FEATURES:

- |                       |  |
|-----------------------|--|
| 15. ENVIRONMENTAL     | <b>IP67</b> (tested & certified by CMRI, Dhanbad.) |
| 16. POLARITY REVERSAL | YES  |
| 17. OUTPUT            | AGAINST INDEFINITE SHORT CIRCUIT                   |

### CONNECTION DETAILS:

- |       |        |
|-------|--------|
| BROWN | +V     |
| BLACK | OUTPUT |
| BLUE  | 0 V    |



Specifications are subject to change without notice.