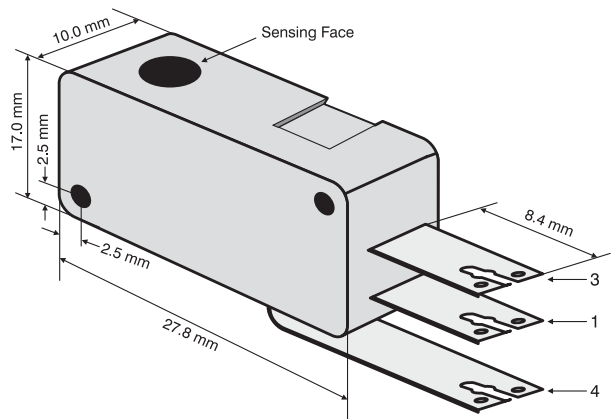


MICROSWITCH TYPE DC INDUCTIVE PROXIMITY SWITCH / SENSOR

**2mm
SHIELDED**

OPERATIONAL DATA :

1. MOUNTING IN METAL	SHIELDED
2. SENSING DISTANCE with Fe-ST37 PLATE	2mm
3. HYSTERESIS	3 % TO 15 %
4. REPEATABILITY	0.01 mm
5. TEMPERATURE DRIFT	< 10 %
6. AMB. TEMP. RANGE	0 DEG. C TO 70 DEG. C.



ELECTRICAL DATA:

7. OPERATING VOLTAGE	10V TO 30V DC
8. CURRENT CONSUMPTION	< 20 mA
9. DROPOUT VOLTAGE	< 1V @ max. load current
10. SWITCHING FREQUENCY	1 KHz
11. LOAD CURRENT (MAXIMUM)	200 mA

ORDERING CODE: TYPE

PSIMS12PAFOCT34RS	PNP/NO/FRONT/200mA/2mm
PSIMS12PATOCT34RS	PNP/NO/TOP/200mA/2mm
PSIMS12PAROCT34RS	PNP/NO/RIGHT/200mA/2mm
PSIMS12PALOCT34RS	PNP/NO/LEFT/200mA/2mm
PSIMS12NAFOCT34RS	NPN/NO/FRONT/200mA/2mm
PSIMS12NATOCT34RS	NPN/NO/TOP/200mA/2mm
PSIMS12NAROCT34RS	NPN/NO/RIGHT/200mA/2mm
PSIMS12NALOCT34RS	NPN/NO/LEFT/200mA/2mm

MECHANICAL DATA:

12. HOUSING	ABS ENCLOSURE SIZE 27.8mm X 17mm X 10mm
13. MOUNTING	Dia 3.2mm PAIR OF DIAGONALLY PLACED HOLES
14. TERMINATION	Through Lugs

PROTECTION FEATURE:

15. ENVIRONMENTAL	IP 67 (tested and certified by CMRI, Dhanbad)
16. POLARITY REVERSAL	YES
17. OUTPUT	AGAINST INDEFINITE SHORT CIRCUIT

CONNECTION DETAILS:

1	(+Ve)
2	(N.U)
3	(-Ve)
4	(OUTPUT)

Recommended for the application subject to manufacturer's change time to time

** please contact factory for different barrel lengths

Specifications are subject to change without notice.

