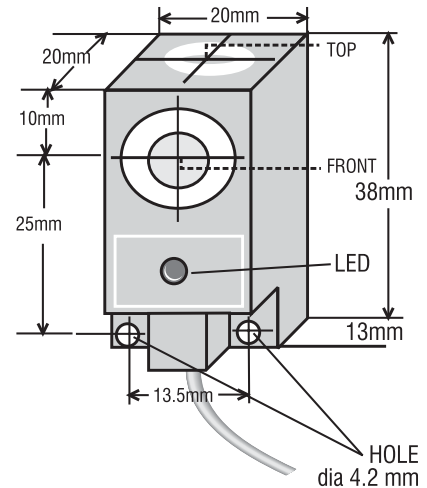


22 BLOCK TYPE DC INDUCTIVE PROXIMITY SWITCH/SENSOR (2 WIRE)

8mm
SHIELDED

OPERATIONAL DATA

- | | |
|----------------------|--------------------------------|
| 1. MOUNTING IN METAL | SHIELDED |
| 2. SENSING DISTANCE | 8 mm (SHIELDED) |
| | With Fe/ST - 22mm X 22mm X 1mm |
| 3. HYSTERESIS | 3 % TO 15 % |
| 4. REPEATABILITY | 0.01 mm |
| 5. TEMPERATURE DRIFT | < 10% |
| 6. AMB. TEMP. RANGE | 0 DEG. TO 70 DEG. C. |



ELECTRICAL DATA:

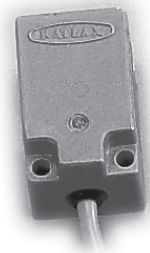
- | | |
|----------------------------|-------------------------|
| 7. OPERATING VOLTAGE | 10 V TO 30 VDC |
| 8. OFF STATE CURRENT | < 1.5 mA |
| 9. DROPOUT VOLTAGE | < 7V @ max load current |
| 10. SWITCHING FREQUENCY | 600 Hz |
| 11. LOAD CURRENT (MAXIMUM) | 150 mA |

ORDERING CODE: TYPE

- | | |
|-------------------|-------------------|
| PSIBL22TWFOCB02RS | DC/Front/NO/100mA |
| PSIBL22TWFCB02RS | DC/Front/NC/100mA |
| PSIBL22TWTOCB02RS | DC/Top/NO/100mA |
| PSIBL22TWTCCB02RS | DC/Top/NC/100mA |

MECHANICAL DATA:

- | | |
|-----------------|--|
| 12. HOUSING | ABS ENCLOSURE 20mmX20mmX38mm |
| 13. MOUNTING | Dia. 4.2 mm PAIR OF HOLES 13.5mm PCD FOR WALL MOUNTING |
| 14. TERMINATION | Cu CABLE PVC INSULATED 3X0.34 Sq. mm |



PROTECTION FEATURES:

- | | |
|-----------------------|------|
| 15. ENVIRONMENTAL | IP67 |
| 16. POLARITY REVERSAL | YES |

CONNECTION DETAILS:

- | | |
|-------|-----|
| BROWN | + V |
| BLUE | 0 V |

Recommended for the application subject to manufacturer's change time to time

** please contact factory for different barrel lengths

Specifications are subject to change without notice.

