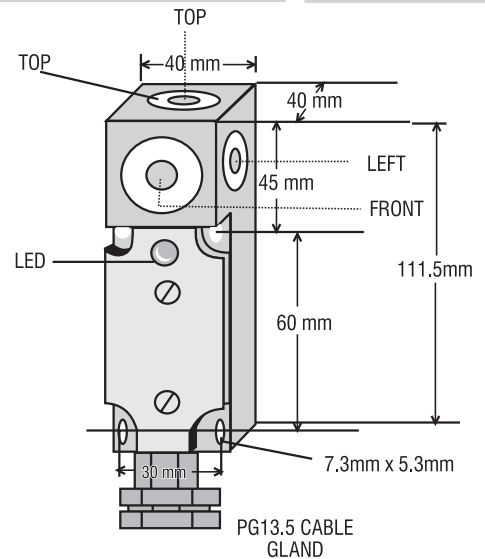


40BLOCK TYPE ANALOGUE INDUCTIVE PROXIMITY SWITCH / SENSOR

4.....11mm
SHIELDED

OPERATIONAL DATA:

- | | |
|---|----------------------------|
| 1. INSTALLATION IN METAL | SHIELDED |
| 2. SENSING DISTANCE
with FeST37-
40x40 x1mm Plate | 4...11mm |
| 3. LINEARITY | 3% |
| 4. HYSTERESIS | 0.03mm |
| 5. REPEATABILITY | 0.02mm |
| 6. TEMPERATURE DRIFT | < 4% over operating range. |
| 7. AMB. TEMP. RANGE | 0 DEG.C. TO 70 DEG.C. |



ELECTRICAL DATA:

- | | |
|----------------------------|--------------------------------|
| 8. OPERATING VOLTAGE | 13.5 V TO 30 VDC |
| 9. CURRENT CONSUMPTION | < 15 mA |
| 10. OUTPUT VOLTAGE | 0 V.....10V OVER
FULL RANGE |
| 11. SWITCHING FREQUENCY | 190 Hz |
| 12. LOAD CURRENT (MAXIMUM) | 20 mA |
| 13. OUTPUT TYPE | PNP ANALOGUE |
| 14. LOAD RESISTANCE | >=4.7Kohm |

ORDERING CODE: TYPE

- | | |
|-------------------|--------------------------------|
| PSIBL40ANTVCB02RS | PNP/4..11mm/PNP-ANALOGUE/TOP |
| PSIBL40ANFVCB02RS | PNP/4..11mm/PNP-ANALOGUE/FRONT |
| PSIBL40ANLVCB02RS | PNP/4..11mm/PNP-ANALOGUE/LEFT |
| PSIBL40ANRVCB02RS | PNP/4..11mm/PNP-ANALOGUE/RIGHT |

MECHANICAL DATA:

- | | |
|-----------------|--|
| 15. HOUSING | ABS PLASTIC BODY
DESIGNED TO DIN EN50025
SIZE 111.5X40X40 mm |
| 16. MOUNTING | Dia 5.3mm FOUR THRU
HOLES FOR WALL MOUNTING |
| 15. TERMINATION | SCREW TERMINALS with
COMPARTMENT SIZE
1X2.5Sq.mm |

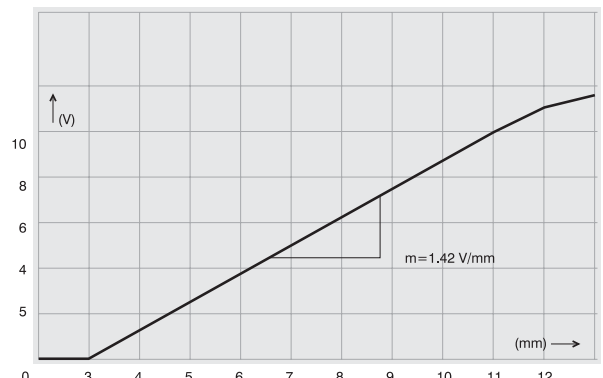
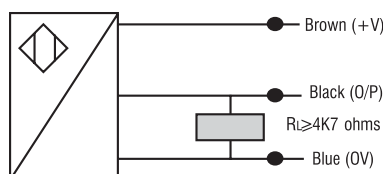


PROTECTION FEATURES:

- | | |
|-----------------------|------|
| 16. ENVIRONMENTAL | IP65 |
| 17. POLARITY REVERSAL | YES |

CONNECTION DETAILS:

- | | |
|-----|--------------|
| (1) | ANALOGUE O/P |
| (2) | 0V |
| (4) | +V |
| (5) | 0V |



Specifications are subject to change without notice.