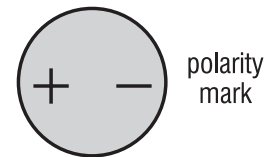
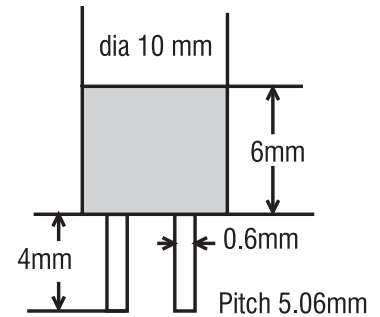


MINIATURISED PCB MOUNTABLE NAMUR INDUCTIVE PROXIMITY SWITCH/SENSOR 10CTN:

**4mm
UN-SHIELDED**

OPERATIONAL DATA:

- | | |
|---|-----------------------|
| 1. MOUNTING IN METAL | UNSHIELDED |
| 2. SWITCHING DISTANCE WITH Fe-ST37 PLATE SIZE 12X12X1mm | 4mm |
| 3. HYSTERESIS | 3% TO 15% |
| 4. REPEATABILITY | 0.01mm |
| 5. TEMPERATURE DRIFT | < 10% |
| 6. AMB. TEMP. RANGE | 0 DEG.C. TO 70 DEG.C. |



ELECTRICAL DATA:

- | | |
|--|---|
| 7. NAMUR OPERATIONAL DATA
DIN19234/IS 5780-1980
GR.I,IIA, IIB, IIC | @ Vb=8.2V, @TEMP=20 DEG.C.
SENSING DISTANCE = 4mm
@ I = 1.8mA |
| 8. OPERATING VOLTAGE RANGE | 5V TO 15V ; RL= 1 Kohm
12V TO 24V ; RL = 2Kohm |
| 9. RIPPLE | < 10% |
| 10. CURRENT CONSUMPTION | <= 1mA..... ACTIVE FACE DAMPED
>= 4mA..... ACTIVE FACE UNDAMPED
10mA..... MAXIMUM |
| 11. SWITCHING FREQUENCY | 2KHz |

ORDERING CODE:

TYPE

PSICT12NRNOCL56RS

MECHANICAL DATA:

- | | |
|----------------------|--|
| 12. HOUSING/MOUNTING | PCB MOUNTABLE CONSTRUCTION
IN ABS PLASTIC |
| 13. TERMINATION | PAIR OF GOLD PLATED
PINS 5.06 mm PCD |

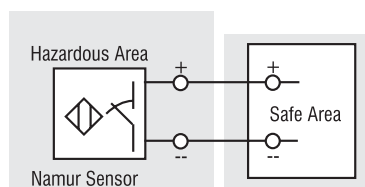


PROTECTION FEATURES:

- | | |
|-------------------|-------------|
| 14. ENVIRONMENTAL | IP67 |
|-------------------|-------------|

CONNECTION DETAILS:

- | | |
|--------|----|
| PIN(+) | +V |
| PIN(-) | OV |



Certified for Intrinsically Safe area application as per Indian Standard IS 5780-1980 Gr I, IIA, IIB, IIC, equivalent to DIN 19234 / EN 50020 by CMRI, Dhanbad.



Specifications are subject to change without notice.