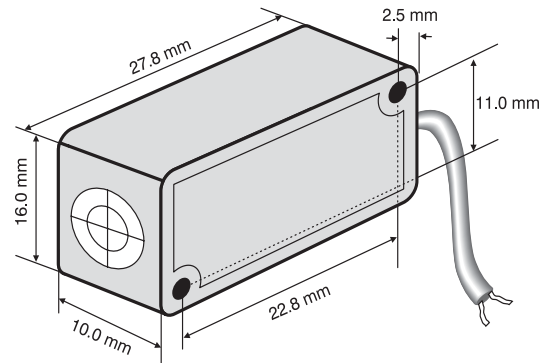


**MICROSWITCH TYPE NAMUR  
IND. PROXIMITY SWITCH / SENSOR**

**2mm  
SHIELDED/UNSHIELDED**

**OPERATIONAL DATA:**

- |  |                         |
|--|-------------------------|
| 1. MOUNTING IN METAL   | SHIELDED/UNSHIELDED     |
| 2. SENSING DISTANCE<br>with Fe-ST37 PLATE<br>SIZE 12 X 12 X 1 mm | 2mm / 4mm               |
| 3. HYSTERESIS  | 3 % TO 15 %             |
| 4. REPEATABILITY   | 0.01 mm                 |
| 5. TEMPERATURE DRIFT   | < 10 %                  |
| 6. AMB. TEMP. RANGE  | 0 DEG. C. TO 70 DEG. C. |



**ELECTRICAL DATA:**

- |  |  |
|--|--|
| 7. NAMUR OPERATIONAL DATA<br>DIN19234/IS 5780-1980<br>GR.I,IIA,IIB,IIC | @ Vb=8.2V, @ TEMP=20 DEG. C.<br>SENSING DISTANCE =<br>2mm (F) / 4mm (NF) @ I = 1.8mA |
| 8. OPERATING VOLTAGE<br>RANGE  | 5V TO 15V ; RL = 1 Kohm<br>12V TO 24V ; RL = 2Kohm                                   |
| 9. RIPPLE  | < 10%  |
| 10. CURRENT CONSUMPTION  | <= 1mA.....ACTIVE FACE DAMPED<br>>= 4mA.....ACTIVE FACE UNDAMPED<br>10mA.....MAXIMUM |
| 11 SWITCHING FREQUENCY   | 2 KHz  |

**ORDERING CODE: TYPE**

- |                   |                 |
|-------------------|-----------------|
| PSIMS12NRFOCB02RS | NAMUR/FRONT/2mm |
| PSIMS12NRTOCB02RS | NAMUR/TOP/2mm   |
| PSIMS12NRROCB02RS | NAMUR/RIGHT/2mm |
| PSIMS12NRLOCB02RS | NAMUR/LEFT/2mm  |

**MECHANICAL DATA:**

- |                 |   |
|-----------------|---|
| 12. HOUSING     | ABS ENCLOSURE SIZE 27.8mm X 16mm X 10mm   |
| 13. MOUNTING    | Dia 3.2mm PAIR OF DIAGONALLY PLACED HOLES |
| 14. TERMINATION | Cu CABLE PVC INSULATED 2 X 0.34 Sq. mm.   |

**PROTECTION FEATURE:**

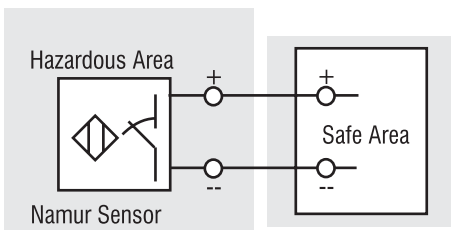
- |                   |  |
|-------------------|--|
| 15. ENVIRONMENTAL | <b>IP 67</b> (tested and certified by CMRI, Dhanbad) |
|-------------------|--|

**CONNECTION DETAILS:**

- |       |     |
|-------|-----|
| BROWN | + V |
| BLUE  | 0 V |



Certified for Intrinsically Safe area application as per Indian Standard IS 5780-1980 Gr I,IIA, IIB, IIC, equivalent to DIN 19234 / EN 50020 by CMRI, Dhanbad.



Specifications are subject to change without notice.