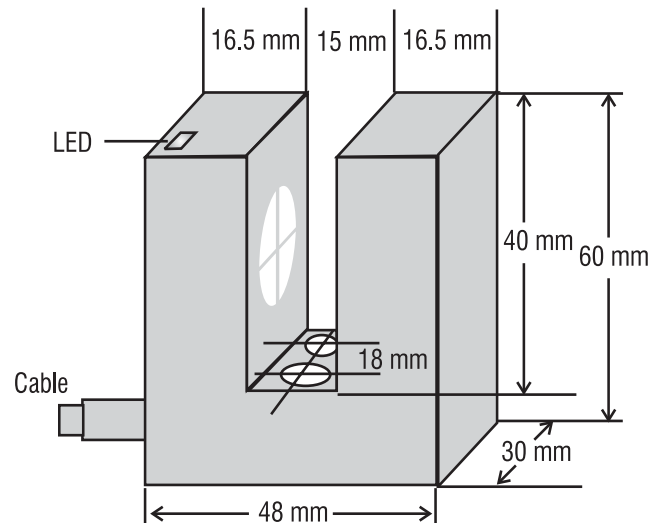


30SLOT TYPE AC INDUCTIVE PROXIMITY SWITCH / SENSOR

15mm
SLOT-WIDTH

OPERATIONAL DATA:

- | | |
|-----------------------|-----------------------|
| 1. MOUNTING IN METAL | NON-FLUSH |
| 2. DIMENSIONS OF SLOT | 15mm X 40mm |
| 3. SWITCHING DISTANCE | |
| With Fe-ST37 PLATE | |
| SIZE (30X30X1)mm | 60 % Insertion Depth |
| 4. HYSTERESIS | 3% TO 15% |
| 5. REPEATABILITY | 0.01mm |
| 6. TEMPERATURE DRIFT | <=10% |
| 7. AMB. TEMP. RANGE | 0 DEG.C. TO 70 DEG.C. |



ELECTRICAL DATA:

- | | |
|-------------------------|-------------------------------------|
| 8. OPERATING VOLTAGE | 40 V~ 250 V~ / 50Hz |
| 9. NO LOAD CURRENT | <= 4mA |
| 10. DROPOUT VOLTAGE | <= 8.5V~ |
| 11. SWITCHING FREQUENCY | 25 Hz |
| 12. LOAD CURRENT (max) | <= 500 mA (surge current 4A /20 mS) |
| 13. READYNESS DELAY | 300 mS |

ORDERING CODE: TYPE

- | | |
|-------------------|--------------|
| PSIST30ACFOCB02RS | AC/500mA/ NO |
| PSIST30ACFCCB02RS | AC/500mA /NC |

MECHANICAL DATA:

- | | |
|-----------------|--|
| 14. HOUSING | ABS PLASTIC BODY SIZE
60mmX30mmX48mm |
| 15. MOUNTING | Dia 6mm PAIR OF HOLES
FOR WALL MOUNTNG 18mm APART |
| 16. TERMINATION | Cu CABLE PVC INSULATED
2X0.75 sq.mm -2m LENGTH |

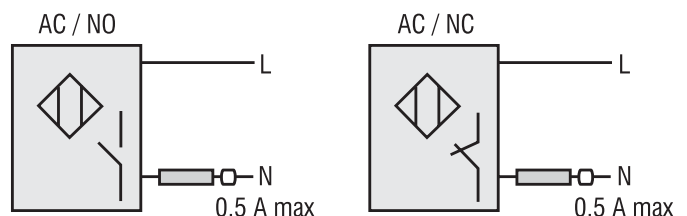


PROTECTION FEATURES:

- | | |
|-------------------|-------------|
| 17. ENVIRONMENTAL | IP67 |
|-------------------|-------------|

CONNECTION DETAILS:

- | | |
|-------|-----|
| BROWN | (-) |
| BLUE | (-) |



Specifications are subject to change without notice.