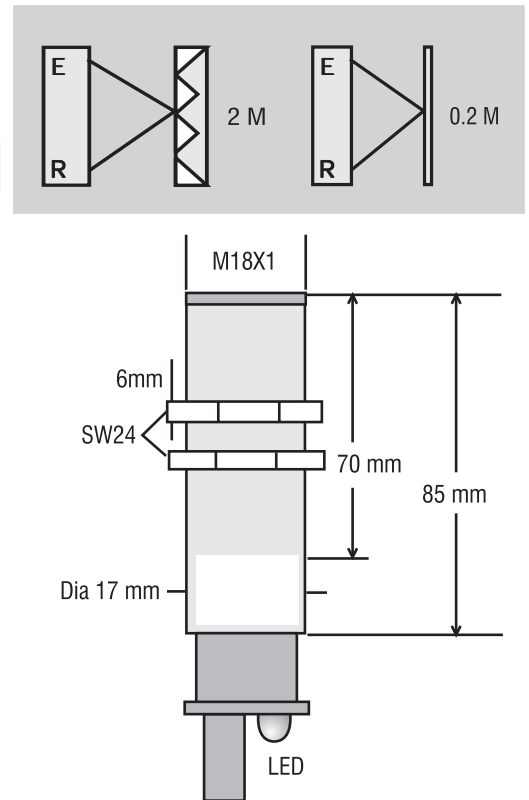


M18 REFLEX OPTICAL SENSOR / SWITCH

OPERATIONAL DATA:	
1. FUNCTION	RETROREFLECTIVE REFLECTION DIFFUSED REFLECTION
2. SENSING RANGE	2M.....RETROREFLECTIVE MODE 0.2M.....DIFFUSION MODE
3. OUTPUT	PNP/NPN NO OR NC
4. INDICATION	LED FOR OUTPUT ON
5. AMB. TEMP. RANGE	0 DEG.C. TO 70 DEG.C.



ELECTRICAL DATA:		ORDERING CODE: TYPE	
6. OPERATING VOLTAGE	10 V TO 30 VDC	PSPBB18PARXCB02RS	PNP /200mA/REFLEX/NO OR NC
7. CURRENT CONSUMPTION	<=50mA	PSPBB18NARXCB02RS	NPN/200mA/REFLEX/NO OR NC
8. DROPOUT VOLTAGE	<2V @ max load current	NO = Output On	With Obstruction
9. SWITCHING FREQUENCY	100 Hz	NC = Output On	Without Obstruction
10. LOAD CURRENT (MAXIMUM)	200mA		

MECHANICAL DATA:	
11. HOUSING	M18 X 1mm THREADED BRASS BARRELS Ni-CHROME PLATED
12. MOUNTING	Dia 18 mm THRU HOLE FIXING BY M18 x1 mm TAPPED PAIR OF NUTS
13. TERMINATION	Cu CABLE PVC INSULATED 3X0.34 Sq.mm.

*** Please contact factory for different barrel lengths.**

PROTECTION FEATURES:	
14. ENVIRONMENTAL	IP67
15. POLARITY REVERSAL	YES
16. OUTPUT	AGAINST INDEFINITE SHORT CIRCUIT

CONNECTION DETAILS:										
	NO	NC								
BROWN	+V	0 V	PNP - NO	+	PNP - NC	+	NPN - NO	+	NPN - NC	+
BLACK	OUTPUT	OUTPUT								
BLUE	0 V	+ V								

Specifications are subject to change without notice.

