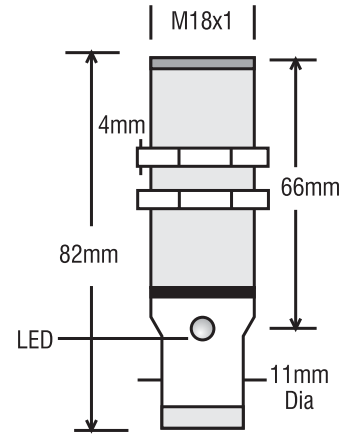
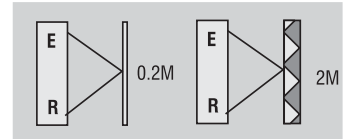


M18 REFLEX OPTICAL SENSOR / SWITCH (CONNECTOR TYPE)

OPERATIONAL DATA:

1. FUNCTION	RETROREFLECTIVE
	REFLECTION DIFFUSED REFLECTION
2. SENSING RANGE	2M.....RETROREFLECTIVE MODE
	0.2M.....DIFFUSION MODE
3. OUTPUT	PNP/NPN NO OR NC
4. INDICATION	LED FOR OUTPUT ON
5. AMB. TEMP. RANGE	0 DEG.C. TO 70 DEG.C.



ELECTRICAL DATA:

6. OPERATING VOLTAGE	10 V TO 30 VDC
7. CURRENT CONSUMPTION	<=50mA
8. DROPOUT VOLTAGE	<2V @ max load current
9. SWITCHING FREQUENCY	100 Hz
10. LOAD CURRENT (MAXIMUM)	200mA

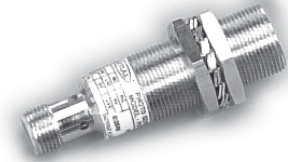
ORDERING CODE: TYPE

PSPBB18PARXCN12RS	PNP /200mA/REFLEX/NO OR NC
PSPBB18NARXCN12RS	NPN/200mA/REFLEX/NO OR NC

NO = Output On	With Obstruction
NC = Output On	Without Obstruction

MECHANICAL DATA:

11. HOUSING	M18 X 1mm THREADED BRASS	* Please contact factory for different barrel lengths.
	BARRELS Ni-CHROME PLATED	
12. MOUNTING	Dia 18 mm THRU HOLE FIXING	
	BY M18 x1 mm TAPPED PAIR OF NUTS	
13. TERMINATION	M12 PLUG CONNECTOR	

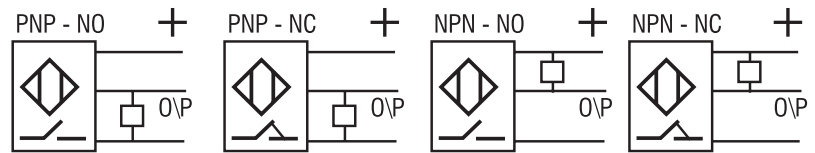
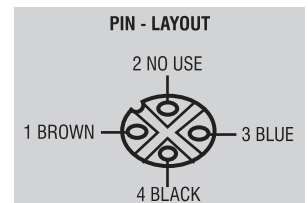


PROTECTION FEATURES:

14. ENVIRONMENTAL	IP67
15. POLARITY REVERSAL	YES
16. OUTPUT	AGAINST INDEFINITE SHORT CIRCUIT

CONNECTION DETAILS:

PIN NO OF MALE CONNECTOR	COLOUR CODE FOR MATCHING ASSEMBLY(SOCKET)
1 (+Ve)	BROWN
2 (N.U)	NOT USED
3 (-Ve)	BLUE
4 (OUTPUT)	BLACK



Specifications are subject to change without notice.