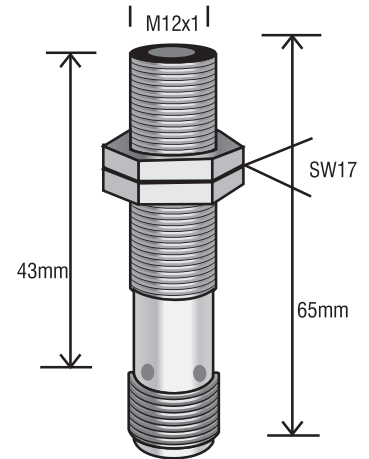


**FIELD PLATE - HALL EFFECT SENSOR
(CONNECTOR TYPE)**

**<= 2mm
FLUSH**

OPERATIONAL DATA:

- | | |
|------------------------------|-------------|
| 1. MOUNTING IN METAL | FLUSH |
| 2. SENSING DISTANCE | <= 2mm |
| 3. SWITCHING FREQUENCY RANGE | 0 - 10KHz. |
| 4. TEMPERATURE RANGE | -25...+75°C |
| 5. TEMPERATURE DRIFT | <10% |



LED 4 @ 90 DEG

ELECTRICAL DATA:

- | | |
|--------------------------|---------------------------|
| 7. OPERATING VOLTAGE | 10 V TO 30 VDC |
| 8. SUPPLY CURRENT | <25 mA |
| 9. MAX SWITCHING CURRENT | <200mA |
| 10. VOLTAGE DROP | <=2V DC@max. load current |

ORDERING CODE: TYPE

- | | |
|-------------------|--------------------|
| PSHBB12PAFOCN12RS | PNP/200mA/NO/FLUSH |
| PSHBB12NAFOCN12RS | NPN/200mA/NO/FLUSH |

MECHANICAL DATA:

- | | | | |
|---------------------------|------------------------------|---|-----------------------------|
| 12. HOUSING | M 12 X 1mm THREADED BRASS \$ | LED along barrel length or
BARREL Ni-CHROME PLATED | backside as per requirement |
| 13. MOUNTING for lengths. | 12 mm THRU HOLE FIXING BY * | | please contact factory |
| | M12 X1mm TAPPED PAIR OF NUTS | | different barrel |
| 14. TERMINATION | M12 PLUG CONNECTOR | | |
| 15. AIR GAP | 2 mm | | |
| 16. GEAR MATERIAL | FERROUS METAL | | |

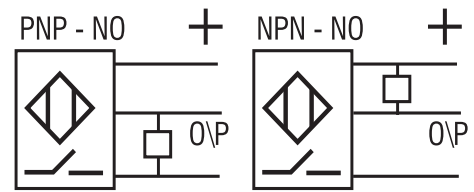
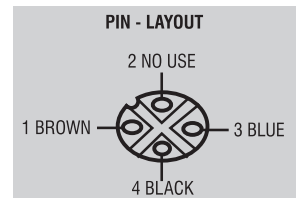


PROTECTION FEATURES:

- | | |
|-----------------------|----------------------------------|
| 17. ENVIRONMENTAL | IP67 |
| 18. POLARITY REVERSAL | YES |
| 19. OUTPUT | AGAINST INDEFINITE SHORT CIRCUIT |

CONNECTION DETAILS:

PIN NO OF MALE CONNECTOR	COLOUR CODE
1 (+Ve)	BROWN
2 (N.U)	NOT USED
3 (-Ve)	BLUE
4 (OUTPUT)	BLACK



Specifications are subject to change