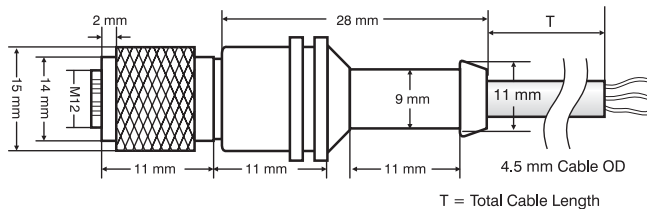
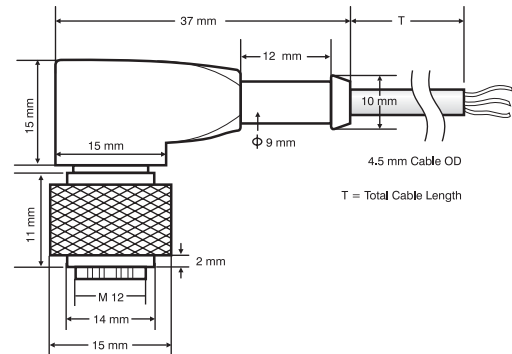


M12 FEMALE CONNECTOR(SOCKET) FOR TRUMAC DK 760 / DK 780 CARDING MACHINE

STRAIGHT CABLE SOCKET



RIGHT ANGLE CABLE SOCKET



* Cable socket, with integrity moulded Leads, self-securing lock nut.

TECHNICAL DETAILS

1. Operating Voltage: 10..... 30 V D.C. / 240 V A.C./ D.C.
2. Operating Current 3A
3. Protection Class IP68
4. Temperature Range -25° C to +90° C
5. Grip colour Blue / Yellow / Orange / Transparent
6. Cable Specifications
 - Conductors 3 Core, 0.25 Sq.mm (14/38), Highly Flexible Cable (Per Core) 14 strands of 0.15 mm Dia (1438) Annealed Bare Copper Wire, Area (0.25 Sq.mm)
 - Insulation (Per Core) PVC O.D., 1.25 mm, Nominal
 - Electrical Insulation > = 200 M Ohms at 1 KV DC (Tested for 30 Sec.)
 - Sheath TPR (Oil & Grease Resistant), Highly Flexible, O.D.4.4 + / -0.1 mm
 - Current Rating (Per Core) 3 Amps
 - Voltage Rating (Per Core) 600 Volts
 - Colour of the Jacket Grey
7. Cable Termination Tinned
8. Contact Material Cu Zn / Sn
9. Switch Function NPN / PNP

All the combinations are also available with shielded type & 4 core.
 # For more details, please contact factory.
 # Conductor colour identifications complies with European Standards.

ORDERING CODE:

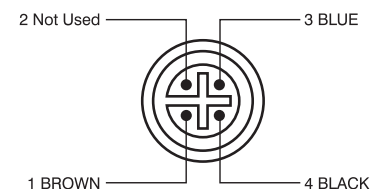
Eqv. to Trumac Part No.

Our Part No.

PSCNFR12RT04M05C3NSDXU	136082079496
PSCNFR12ST04M05C3NSDXU	136082079494
PSCNFR12ST04M06C3NSDXU	136082079647
PSCNFR12RT04M10C3NSDXU	136082079659
PSCNFR12ST04M10C3NSDXU	136082079965
PSCNFR12RT04M10C3WSDXXU	137182079654

CONNECTION DETAILS:

CABLE COLOUR	PIN NO.
BROWN	1
NOT USED	2 (White in case of 4 core)
BLUE	3
BLACK	4



Specifications are subject to change without notice.