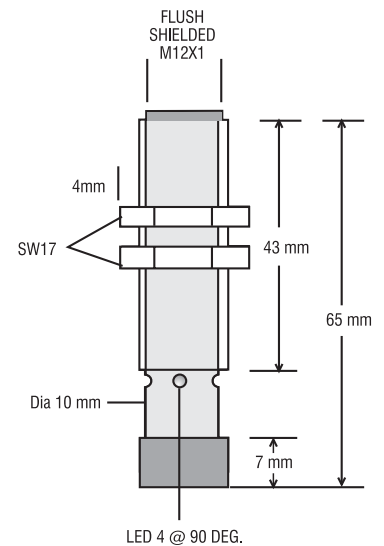


## M12DC IND. CONNECTOR TYPE PROXIMITY SWITCH/SENSOR FOR TRUMAC DK 760 & DK780 CARDING MACHINE

**2mm  
FLUSH**

### OPERATIONAL DATA:

- |  |                       |
|--|-----------------------|
| 1. MOUNTING IN METAL                               | FLUSH                 |
| 2. SENSING DISTANCE<br>with Fe/ST37 -12mmX12mmX1mm | 2mm(FLUSH)            |
| 3. HYSTERESIS                                      | 3% TO 15%             |
| 4. REPEATABILITY                                   | 0.01mm                |
| 5. TEMPERATURE DRIFT                               | <10%                  |
| 6. AMB. TEMP. RANGE                                | 0 DEG.C. TO 70 DEG.C. |



### ELECTRICAL DATA:

- |                            |                        |
|----------------------------|------------------------|
| 7. OPERATING VOLTAGE       | 10 V TO 30 VDC         |
| 8. CURRENT CONSUMPTION     | <20 mA                 |
| 9. DROPOUT VOLTAGE         | <1V @ max load current |
| 10. SWITCHING FREQUENCY    | 1.5 KHz                |
| 11. LOAD CURRENT (MAXIMUM) | 200mA                  |

### OUR PART NO :

PSIBB12PAFOCN12RS

### Eqv. to TRUMAC PART NO:

136082205046 #

### MECHANICAL DATA:

- |                 |  |
|-----------------|--|
| 12. HOUSING     | M12 X 1mm THREADED BRASS BARREL Ni-CHROME PLATED       |
| 13. MOUNTING    | 12 mm THRU HOLE FIXING BY M12 X1mm TAPPED PAIR OF NUTS |
| 14. TERMINATION | M12 Plug Connector (Four Pins)                         |



### PROTECTION FEATURES:

- |                       |  |
|-----------------------|--|
| 15. ENVIRONMENTAL     | <b>IP67</b> (tested & certified by CMRI, Dhanbad.) |
| 16. POLARITY REVERSAL | YES  |
| 17. OUTPUT            | AGAINST INDEFINITE SHORT CIRCUIT                   |

### CONNECTION DETAILS:

#### PIN NO OF MALE CONNECTOR

PIN NO OF MALE CONNECTOR	COLOUR CODE
1 (+Ve)	BROWN
2 (N.U)	NOT USED
3 (-Ve)	BLUE
4 (OUTPUT)	BLACK

# Recommended for the application subject to manufacturer's change time to time.

\*\*Please contact factory for different barrel lengths.

Specifications are subject to change without notice.

