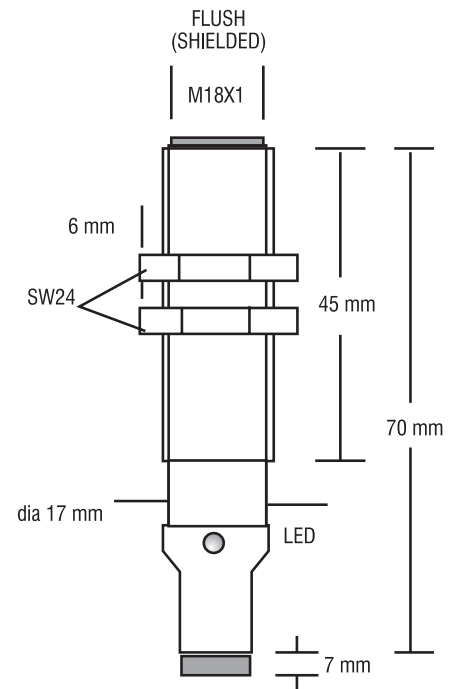


M18 DC IND. CONNECTOR TYPE PROXIMITY SWITCH / SENSOR FOR TRUMAC DK 760 & DK780 CARDING MACHINE

**5mm
FLUSH**

OPERATIONAL DATA:

1. MOUNTING IN METAL	FLUSH
2. SENSING DISTANCE with Fe/ST37 -18mmX18mmX1mm	5mm(FLUSH)
3. HYSTERESIS	3% TO 15%
4. REPEATABILITY	0.01mm
5. TEMPERATURE DRIFT	<10%
6. AMB. TEMP. RANGE	0 DEG.C. TO 70 DEG.C.



ELECTRICAL DATA:

7. OPERATING VOLTAGE	10 V TO 30 VDC
8. CURRENT CONSUMPTION	<20mA
9. DROPOUT VOLTAGE	<1V @ max load current
10. SWITCHING FREQUENCY	800 Hz
11. LOAD CURRENT (MAXIMUM)	400mA

MECHANICAL DATA:

12. HOUSING	M18 X 1mm THREADED BRASS BARREL Ni-CHROME PLATED
13. MOUNTING	18 mm THRU HOLE FIXING BY M18 X1mm TAPPED PAIR OF NUTS
14. TERMINATION	M12 Plug Connector (Four Pins)

OUR PART NO :

Eqv. to TRUMAC PART NO:

PSIBB18PAFOCN12RS 136082205047 #



PROTECTION FEATURES:

15. ENVIRONMENTAL	IP67 (tested & certified by CMRI, Dhanbad.)
16. POLARITY REVERSAL	YES
17. OUTPUT	AGAINST INDEFINITE SHORT CIRCUIT

CONNECTION DETAILS:

PIN NO OF MALE CONNECTOR

PIN NO OF MALE CONNECTOR	COLOUR CODE
1 (+Ve)	BROWN
2 (N.U)	NOT USED
3 (-Ve)	BLUE
4 (OUTPUT)	BLACK

Recommended for the application subject to manufacturer's change time to time.

**Please contact factory for different barrel lengths.

Specifications are subject to change without notice.

