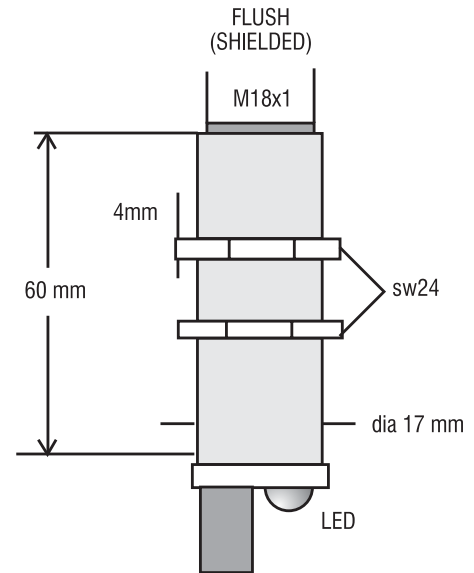


M18 AC SENSOR FOR TRUMAC BLOW ROOM

**5 mm
FLUSH**

OPERATIONAL DATA :

- | | |
|---|-----------------------|
| 1. MOUNTING IN METAL | FLUSH |
| 2. SWITCHING DISTANCE WITH
Fe-ST37 PLATE SIZE
18mm X 18mm X 1mm | 5mm |
| 3. HYSTERESIS | 3% TO 15% |
| 4. REPEATABILITY | 0.01mm |
| 5. TEMPERATURE DRIFT | <10% |
| 6. AMB. TEMP.RANGE | 0 DEG.C. TO 70 DEG.C. |



ELECTRICAL DATA:

- | | |
|-------------------------|--|
| 7. OPERATING VOLTAGE | 40 V~ 250 V~ / 50Hz |
| 8. NO LOAD CURRENT | <= 4mA |
| 9. DROPOUT VOLTAGE | <= 8.5V~ |
| 10. SWITCHING FREQUENCY | 25 Hz |
| 11. LOAD CURRENT (max) | <= 500 mA ~ (surge current 4A / 20 mS) |
| 12. READINESS DELAY | 300 mS |

OUR PART NO : Eqv. to TRUMAC PART NO:

PSIBB18ACFOCB03RS 1360 8220 5018 #

MECHANICAL DATA:

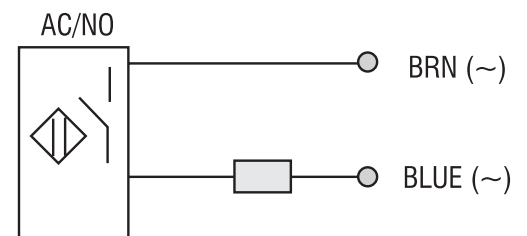
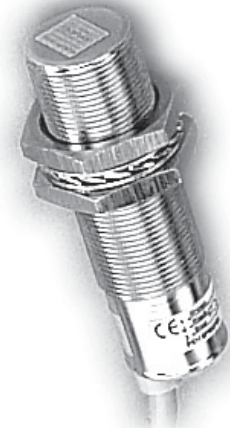
- | | |
|-----------------|---|
| 13. HOUSING | M18X1mm THREADED
BRASS BARREL Ni-CHROME PLATED |
| 14. MOUNTING | 18mm THRU HOLE FIXING BY
M18X1mm TAPPED PAIR OF NUTS |
| 15. TERMINATION | Cu CABLE PVC-INSULATED 2X0.34 Sq.mm |

PROTECTION FEATURES:

- | | |
|-------------------|-------------|
| 15. ENVIRONMENTAL | IP67 |
|-------------------|-------------|

CONNECTION DETAILS:

- | | |
|-------|---|
| BROWN | ~ |
| BLUE | ~ |



Recommended for the application subject to manufacturer's change time to time.

**Please contact factory for different barrel lengths.

Specifications are subject to change without notice.