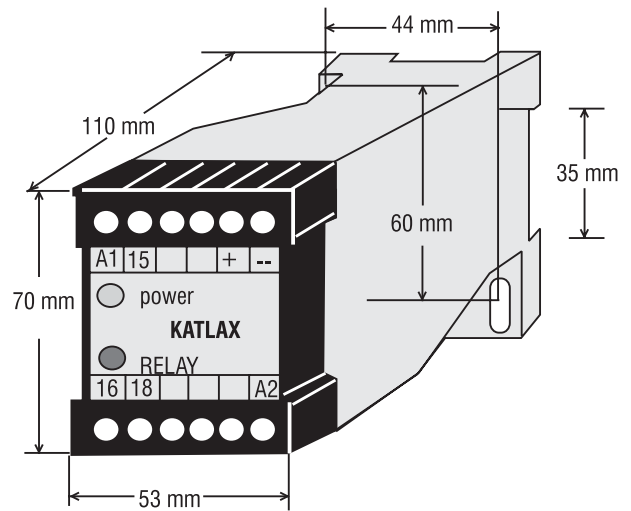


NAMUR AMPLIFIER FOR TRUMAC BLOW ROOM

ELECTRICAL DATA:

- | | |
|---|------------------------------|
| 1. SUPPLY VOLTAGE | 230V AC, 50Hz +/-10% |
| 2. POWER CONSUMPTION | 2.5VA |
| Control Circuit | |
| 3. SENSOR SUPPLY** | <= 8.2±0.3V approx 70mm |
| 4. SHORT CIRCUIT CURRENT | <10mA |
| 5. SWITCHING RANGE | 2.5mA > IS Relay Deenergised |
| SIGNAL CURRENT | 2.5mA < IS Relay Energised |
| Output (non-interinsically safe) | |
| 6. RELAY OUTPUT CONTACT RATING | AC 250V/4A |
| 7. CONTACTS | SPDT |
| 8. CONTINUOUS CURRENT RATING | 5A RESISTIVE AT 230V ~ |
| DC11 DUTY | 1.25A @ <=24VDC |
| AC11 DUTY | 1.5A @ <=230V ~ |
| | 0.2A @ 220V |



MECHANICAL DATA:

- | | |
|-----------------|---|
| 9. HOUSING | ABS PLASTIC ENCLOSURE DESIGNED FOR IP 54 WITH TERMINAL COVER |
| 10. MOUNTING | PANEL MOUNTING PROVISION ON 35mm RAIL AS PER DIN STANDARD 50022 OR WITH HOLES FOR SCREW FIXING |
| 11. TERMINATION | TERMINAL COMPARTMENT FOR MAXIMUM CROSS-SECTIONAL AREA=1X 2.5 Sq.mm. |

OUR PART NO :

Eqv. to TRUMAC PART NO:

PRA240NRU821C5A 1360 94401080 #



CONNECTION DETAILS:

- | | |
|------------------------|------------------------------|
| A1 - A2 | SUPPLY VOLTAGE |
| 15 - 16 - 18 (C-NC-NO) | OUTPUT 1 CHANGEOVER CONTACTS |
| + | BROWN- NAMUR SENSOR |
| --- | BLUE - NAMUR SENSOR |

Recommended for the application subject to manufacturer's change time to time.

**Please contact factory for different barrel lengths.

Specifications are subject to change without notice.

