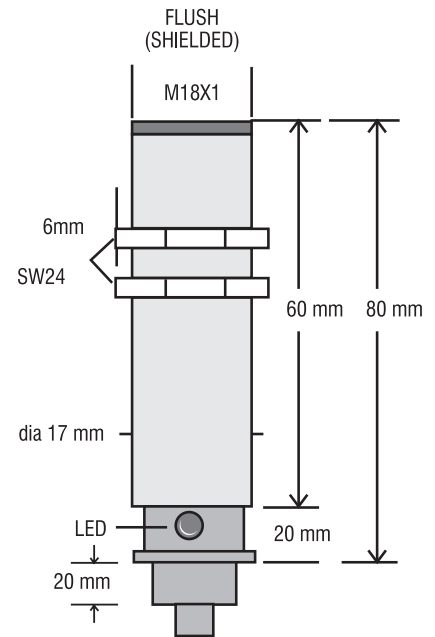


M18DC SENSOR FOR TRUMAC DK 740 CARDING MACHINE

**5 mm
FLUSH**

OPERATIONAL DATA :

- | | |
|--|-----------------------|
| 1. MOUNTING IN METAL | FLUSH |
| 2. SWITCHING DISTANCE WITH Fe-ST37 PLATE
SIZE-18mm X 18mm X 1mm | 5mm(FLUSH) |
| 3. HYSTERESIS | 3% TO 15% |
| 4. REPEATABILITY | 0.01mm |
| 5. TEMPERATURE DRIFT | <10% |
| 6. AMB. TEMP.RANGE | 0 DEG.C. TO 70 DEG.C. |



ELECTRICAL DATA:

- | | |
|-------------------------|------------------------|
| 7. OPERATING VOLTAGE | 10 V TO 30 VDC |
| 8. CURRENT CONSUMPTION | <20mA |
| 9. DROPOUT VOLTAGE | <1V @ max load current |
| 10. SWITCHING FREQUENCY | 800 Hz |
| 11. LOAD CURRENT (max) | 200mA |

OUR PART NO : Eqv. to TRUMAC PART NO:

PSIBB18PAFOCB03RSC 1360 8220 5020 #
*with cable protector

MECHANICAL DATA:

- | | |
|-----------------|---|
| 12. HOUSING | M18X1mm THREADED BRASS
BARREL NI-CHROME PLATED |
| 13. MOUNTING | 18 mm THRU HOLE FIXING
BY M18X1mm TAPPED PAIR
OF NUTS |
| 14. TERMINATION | Cu CABLE PVC INSULATED 3X0.34 Sq.mm. |

PROTECTION FEATURES:

- | | |
|-----------------------|--|
| 15. ENVIRONMENTAL | IP67 (tested & certified by CMRI, Dhanbad.) |
| 16. POLARITY REVERSAL | YES |
| 17. OUTPUT | AGAINST INDEFINITE SHORT CIRCUIT |

CONNECTION DETAILS:

- | | |
|-------|--------|
| BROWN | +V |
| BLACK | OUTPUT |
| BLUE | 0V |

Recommended for the application subject to manufacturer's change time to time.

**Please contact factory for different barrel lengths.

Specifications are subject to change without notice.

